

Pressure Gauges / Liquid Filled Pressure Gauges / CL. 1.0 / Ø 100 mm

CONSTRUCTIVE PROPERTIES

| | STANDARD | OPTIONAL |
|--------------------|-----------------------------------------------------------------------------------------------------------------------------------------|----------------------------------|
| Mounting Type | Bottom Connection | See Technical Drawing |
| Scale Unit | bar/psi | bar psi kg/cm ² |
| Scale Range (PN) | 0/0,6 0/1 0/1,6 0/2,5 0/4 0/6 0/10 0/16 0/25 0/40 0/60 0/100 0/160 0/250 0 - 315 0/400 0/600 0 - 1000 | |
| Vacuum Scale Range | -1 / 0 -1 / +0,6 -1 / +1,5 -1 / +3 -1 / +5 -1 / +9 -1 / +15 -1 / +24 | |
| Case | Stainless Steel AISI-304 | Stainless Steel AISI-316L |
| Bezel | Stainless Steel AISI-304 | Stainless Steel AISI-316L |
| Window | Safety Glass | - |
| Movement | Brass | Stainless Steel AISI-304 |
| Wetted Parts | Copper Alloy | Stainless Steel AISI-316L |
| Connection | G 1/2" B | 1/2" NPT |
| Dial | Aluminum | - |
| Pointer | Aluminum | - |
| Welding | Soldering | Special Welding Hard Soldering |
| Filling Liquid | Glycerine | Silicon Oil |

USAGE PROPERTIES

| | | |
|----------------------------|----------------------------------------------|------------------|
| Fluid Temperature | Maximum + 60 °C | Maximum + 120 °C |
| Ambient Temperature | - 20 ... + 60 °C | - |
| Operating Pressure (max.) | Must not exceed full scale. | |
| Over Pressure Limit | F.S. x 1,3 | - |
| Accuracy Class | CL 1.0 | - |
| Protection Rate | IP 65 | IP 67 |
| Storage Temperature | -40 ... +70 °C | - |
| Conformity | EN 837 - 1 | ATEX 94/9/EC |
| Mechanical Shock Test Load | 15g | - |
| Mechanical Vibration Test | 10 Hz ile 150 Hz -1 oktav/dk. 2s / 3 eksende | |

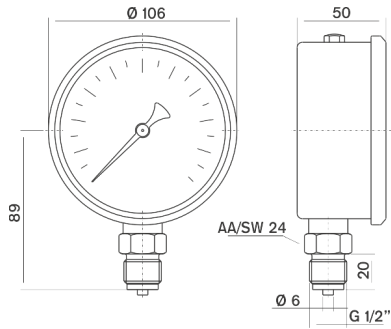


MH100GRS1
Bottom Connection



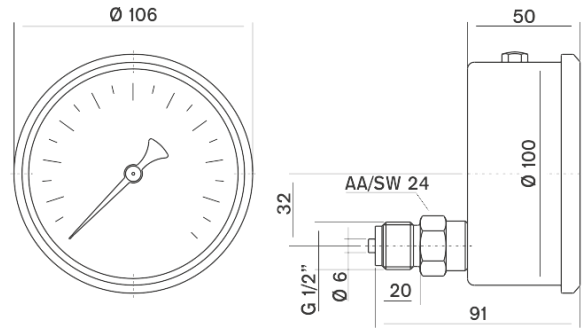
MH100GLS1

Pressure Gauges / Liquid Filled Pressure Gauges / CL. 1.0 / Ø 100 mm



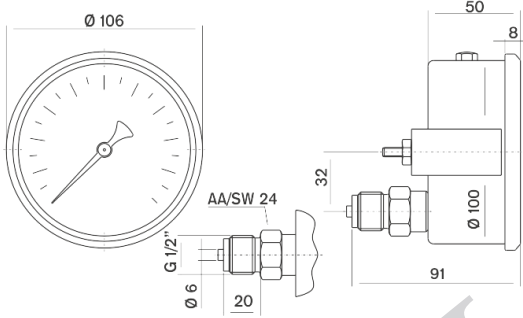
Model No: MH100GRS1 / MH100GLS1

Bottom Connection



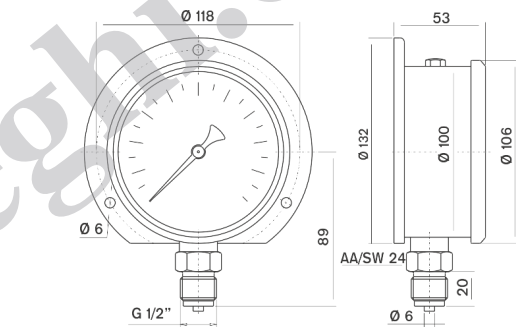
Model No: MH100GRS4 / MH100GLS4

Lower Back Connection



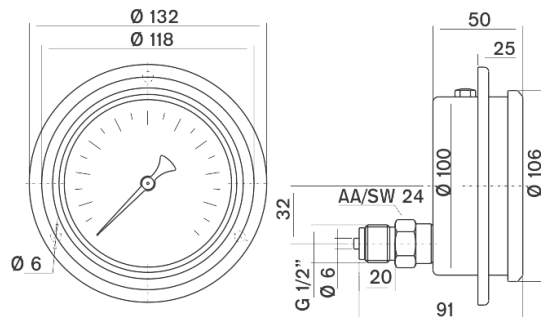
Model No: MH100GRS5 / MH100GLS5

Lower Back Panel Mount Connection



Model No: MH100GRS6 / MH100GLS6

Bottom Connection with Back Flange



Model No: MH100GRS8 / MH100GLS8

Lower Back Connection with Front Flange